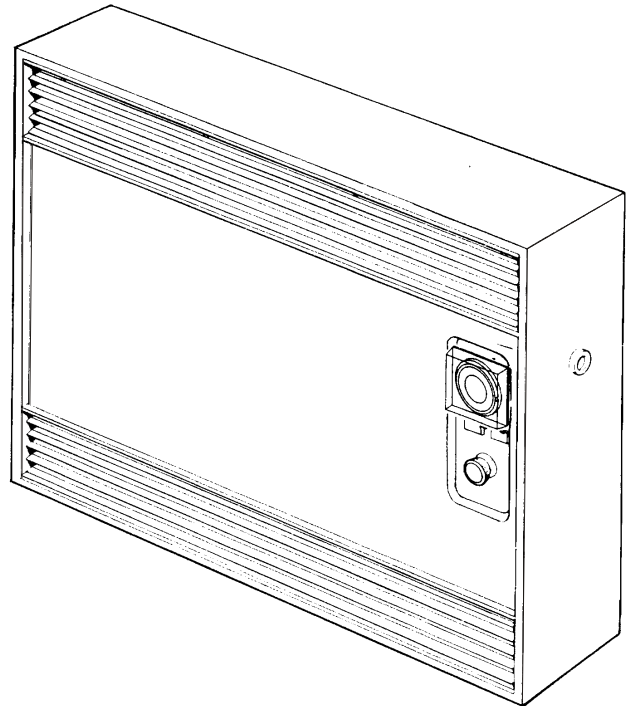




ROBINSON WILLEY

# Warmplan XX Series

## Users' Operating Instructions



FOR USE IN G.B. & I.E.  
CAT I<sub>2H</sub> G20 AT 20mbar  
CAT I<sub>3+</sub> G30 AT 28mbar OR G31 AT 37mbar

### INTRODUCTION

Your Warmplan XX is designed to give you warmth combined with ease of operation and economical use of gas. When the heater is in use, cold air is drawn through the bottom grille, warmed and circulated round the room through the top grille.

#### Warmplan XX Auto:

This heater is fitted with a time clock and thermostat which enables you to programme your individual heating requirements then leave the heater to carry them out automatically.

#### Warmplan XX:

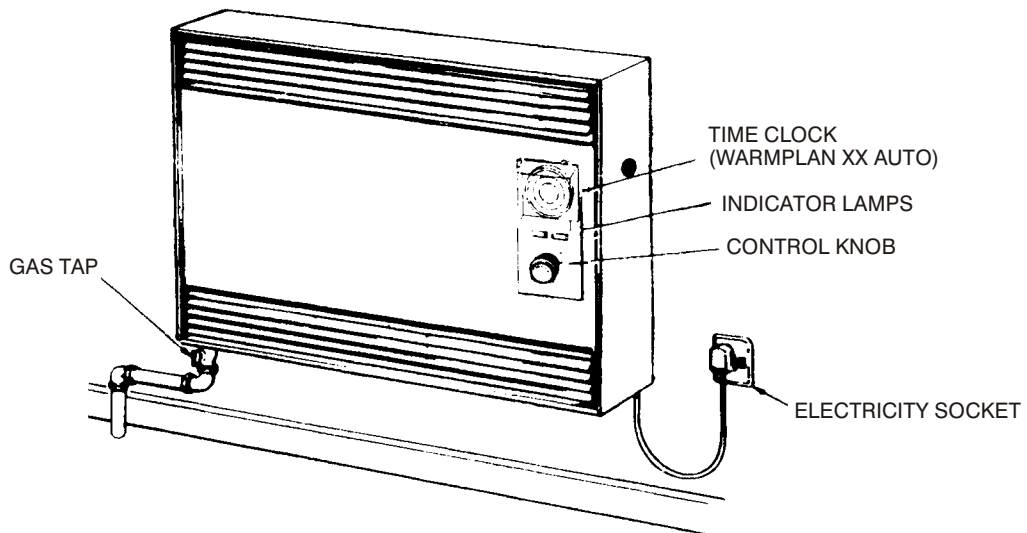
This heater is identical to the Warmplan XX Auto except that it is not fitted with a time clock. You switch it on yourself and then set the thermostat to give you the room temperature which you require.

The appliance should be installed and serviced by a 'Gas Safe' registered engineer in accordance with the installation instructions and with the rules in force.

Under normal installation conditions the gas wall heater gives an output of 3kW. It will consume 3.75 units of gas per hour.

Whilst this appliance meets the required safety standards, additional guarding is recommended to give full protection to young children, the elderly and the infirm.

A fireguard conforming to B.S. 8423 (Fireguards for heating appliances for domestic use) should be used for the protection of children, the elderly or the infirm. Such a guard is also recommended for pet animals.



## CONNECTIONS

**Gas:** There will be a gas supply pipe fitted underneath the heater at the left hand side. If a gas tap is fitted, it is used for maintenance purposes and should be left turned ON.

**Electricity:** The electrical supply will come from a nearby socket or fused spur outlet. It must be left switched ON.

The appliance is already fitted with a mains lead. If it is too long then remove the plug, cut the wire to length and then refit the plug following the instruction below.

**WARNING:** This appliance must be earthed.

### IMPORTANT:

The wires in the mains lead are coloured in accordance with the following code:

Green/Yellow	-	Earth
Blue	-	Neutral
Brown	-	Live

If you are fitting a plug, and the colours of the wires in the mains lead of this appliance do not correspond with the coloured markings identifying the terminals of the plug, proceed as follows:-

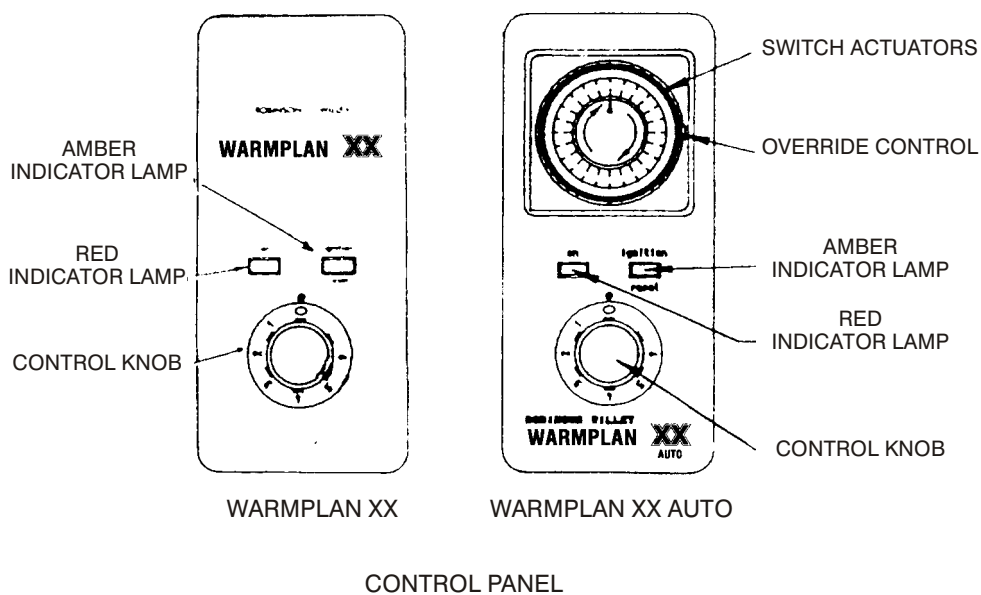
The wire which is coloured green and yellow must be connected to the terminal in the plug which is marked with the letter E by the earth symbol  $\equiv$  or coloured green or green and yellow.

The wire which is coloured blue must be connected to the terminal which is marked with the letter N or coloured black.

The wire which is coloured brown must be connected to the terminal which is marked with the letter L or coloured red

If the terminals of the plug are unmarked, consult a qualified electrician.

Two pin plugs must not be used. For fused plugs use a 3 amp fuse.



## CONTROLS

### Time Clock (Warmplan XX Auto)

Note that the clock has a 24 hour dial. The shortest switching interval is 15 minutes. Each actuator covers 15 minutes. Therefore for a 4 hour period of heating, 16 actuators should be used.

The clock is set as follows:

Remove the clock cover by pulling it away from the control panel. Slide the switch actuators in towards the centre of the dial. To set the time, turn the dial clockwise until the time of day on the 24h rim is in line with the arrow.

## **Override Control (Warmplan XX Auto)**

If the lever at the right hand side of the dial is moved to 'I', the heater will be permanently switched on and will operate according to the control knob setting.

If the lever at the right hand side of the dial is moved to 'o', the heater will be permanently switched off

To resume normal timer operation return the lever to the central position, marked by a 'clock' symbol.

The override lever can be used to turn the heater off without affecting the thermostat setting but for long term shut down, it is recommended that the Control Knob be turned to the OFF position.

## **Control Knob**

This operates a thermostat and ON/OFF switch. OFF is indicated by the sign ● . The thermostat settings range from a minimum setting at 1 to a maximum setting at 6.

## **Indicators**

A red indicator lamp marked ON shows that the heater is operating correctly. An amber indicator lamp marked IGNITION/RESET shows that the ignition cycle has commenced and the clock and thermostat are calling for heat.

## **OPERATING THE HEATER**

Switch on the gas and electricity supplies. If your heater is Warmplan XX Auto, make sure that the clock is in the ON position.

To switch the heater ON, turn the control knob clockwise to position 6. The amber lamp will come on indicating that the ignition cycle has started. After about 20 seconds, the red lamp will come on. The heater is now operating. If, however, the red lamp goes out after a few seconds and the amber lamp remains on, the heater has failed to ignite. Turn the control knob to OFF and repeat the ignition procedure until the heater does light. The flame can be seen through the window in the right hand side of the outer case.

Having ignited the heater, turn the control knob anticlockwise to the setting which gives the room temperature that you require. This setting is best found by trial.

The heater will now operate automatically as directed by the clock, if fitted, and thermostat.

If your heater is Warmplan XX Auto, ensure the override control is set to the central position, marked by a 'clock' symbol.

The Warmplan XX Auto may now be left under 'automatic control'.

If a clock is not fitted - to switch the heater OFF, turn the control knob anticlockwise to the OFF position.

NOTE. If the heater is inadvertently switched off, wait 10 seconds before switching on again.

## **SAFETY**

If the electricity supply should fail, the heater will shut off safely. When the supply is restored, the heater will switch on again automatically. Do not forget that the time clock, if fitted, will have stopped and will need to be reset.

If gas or any other failure causes the burner flame to be extinguished, then the heater will make one attempt to relight and, if this fails, it will shut itself off, a condition which is called 'lockout'. In this condition the red lamp goes out and the amber lamp remains on.

If overheating occurs because of convection fan failure or blockage of the outlet louvre, an overheat switch causes the heater to 'lockout'.

If you see that the amber light only on your heater has been on for more than a minute or two, switch the heater OFF by means of the control knob, Wait thirty minutes and then try to relight the heater in case the fault was a temporary one caused perhaps, by a temporary interruption of the gas supply, or by a chair pushed against the louvres. If the amber light only comes on again and stays on, the fault is permanent and you must call a 'Gas Safe' registered engineer to investigate.

## **CLEANING**

Do not clean the heater while it is warm. Clean with a soft damp cloth. Polish can be used on the case. Do not use abrasive cleaners. The grilles can be cleaned with a soft brush.

## **WARNING**

Clothes or material draped over the heater, or furniture placed closer than 12 inches from the heater will be liable to cause it to turn off.

Curtains must not be draped over the heater and there must be a minimum of 25mm (1") above.

Children should be discouraged from putting anything through the grilles or in the flue terminal, or from operating the controls.

## **MAINTENANCE**

Apart from keeping the heater clean, there is no maintenance that you can do. It is advisable to have the internal parts of the heater cleaned every year by a 'Gas Safe' registered engineer.

## **SPARES AND SERVICE**

Apply to your local Gas Region/Supplier stating that the heater is a Warmplan XX or Warmplan XX Auto and whether it is used on Natural Gas or LPG.

## **REGULAR MAINTENANCE SERVICING**

Annual maintenance service, by a 'Gas Safe' registered engineer, is recommended.

### **Robinson Willey**

Bentleywood Way, Network 65 Business Park, Hapton, Burnley BB11 5ST.

Telephone: 01282 686791 Fax: 01282 686799

E-mail: [info@robinsonwilley.co.uk](mailto:info@robinsonwilley.co.uk)

website: [www.robinsonwilley.co.uk](http://www.robinsonwilley.co.uk)

992068

Issue 4

**Robinson Willey is a Trading Division of the GDC Group Ltd**